

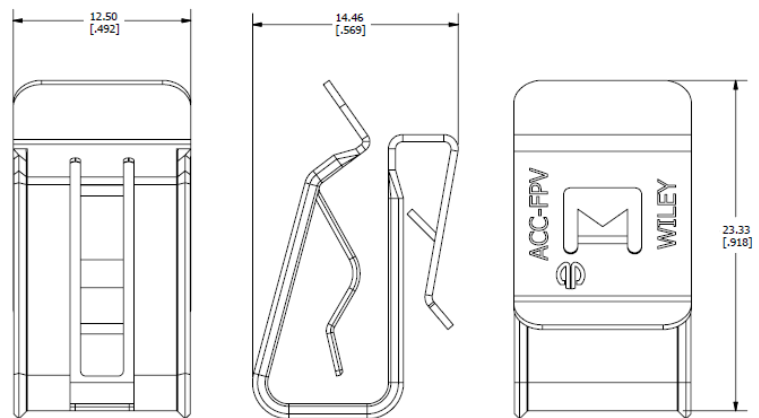


The ACC-FPV wire management clips are made of corrosion resistant 304 stainless steel, which makes them a durable, long lasting and reliable solution for all environments. The ACC-FPV is easy to install and slides straight on to module frames of various thicknesses. The ACC-FPV accommodates 1 to 2 PV cables up to 8.5 mm in diameter. The rolled edges are designed to help protect cable insulation from damage. ACC-FPV clips are the perfect solution for keeping the PV installation neat, clean, and free from ground faults.



<b>Catalog Number</b>	ACC-FPV
<b>Item Number</b>	50068483
<b>Material</b>	304 stainless steel
<b>Width</b>	0.49" [12.5 mm]
<b>Overall Length</b>	0.92" [23.3 mm]
<b>Wire Type</b>	1 to 2 PV cables
<b>Max Wire Diameter</b>	0.16" [4.1mm to 0.33" [8.5 mm]
Compatible on modules/purlins with a flange thickness range of 1.3 to 3.5mm	

- Innovative design that allows for quick and easy installations
- High quality, long-lasting, labor saving wire management solution
- Corrosion resistant 304 stainless steel provides outstanding durability and performance in all environments
- Snake tongue tabs securely anchor clips to module frames or purlins
- Compatible on modules/purlins with a flange thickness range of 1.3 to 3.5mm
- Considerate lead in for installation without tools
- Accommodates all types of PV cable
- Rolled edges protect cable insulation from damage
- Manufactured in the USA
- Lasts for the lifetime of the Solar PV system
- Recommended for outdoor use
- RoHS Compliant
- Custom designs are available upon request



Customer Service 1-800-346-4175 | International 603-647-5299 | Canada 1-800-387-6487 | [www.burndy.com](http://www.burndy.com)